

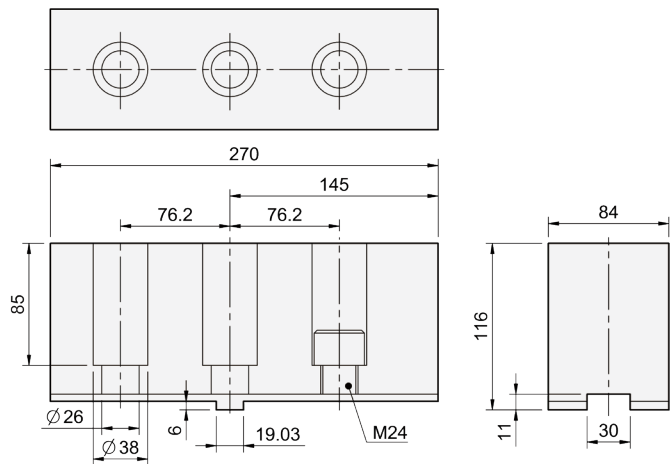


Product schematic

HC40-1

Soft jaw for hydraulic power chuck

Weight
17 kg / PC



Product schematic

HJ40-1

Hard jaw for hydraulic power chuck

Weight
11 kg / PC

