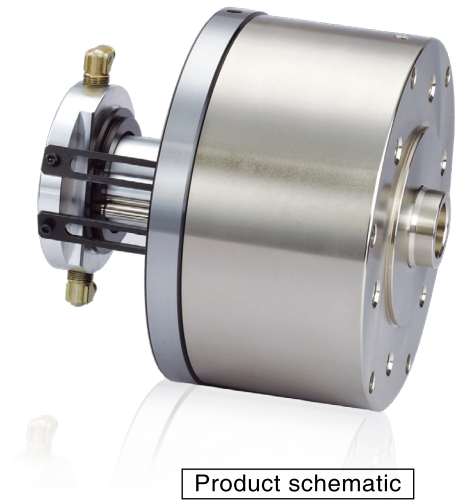


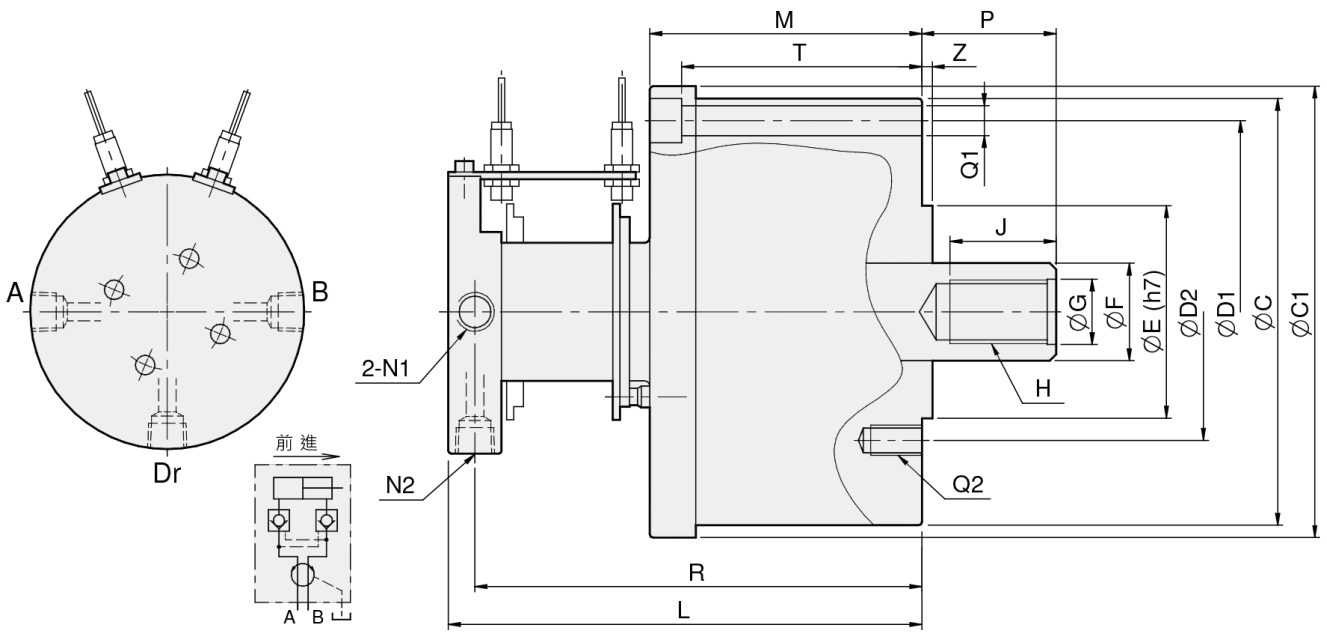
MR

Short Type Non Through Hole Rotary Hydraulic

1. Light weight design can reduce the spindle loading for vertical lathe application.
2. Built-in check valve and proximity switch brackets.
3. Developed for rear locking installation.



Product schematic



UNIT : mm

SPEC Model	Piston Dia. (mm)	Piston Area (cm ²) Push Side / Pull Side	Max. Draw Bar Force (kN)(kgf) Push Side / Pull Side	Piston Stroke (mm)	Max. Operating Pressure (MPa)(kgf / cm ²)	Max. Speed (r.p.m.)	Moment Of Inertia I (kg · m ²)	Weight (kg)	Total Leakage (L/min)
MR10530	105	81 / 75.5	34(3467) / 31.7(3232)	30	4.5(45.9)	6000	0.015	6.8	0.8
MR12535	125	117 / 107.5	49(4996) / 45(4588)	35	4.5(45.9)	6000	0.028	9.5	0.8
MR15035	150	171.1 / 156.7	72(7342) / 66(6730)	35	4.5(45.9)	5500	0.043	12.8	0.8
MR20060	200	310 / 286	146(14887) / 134(13664)	60	4.9(50)	5500	0.55	49	2
MR25060	250	481.5 / 453.6	227(23147) / 214(21822)	60	4.9(50)	2000	0.81	72	2

DIM Model	C	C1	D1	D2	E (h7)	F	G	H	J	L	M	N1	N2	P max.	P min.	Q1	Q2	R	T	Z
MR10530	143	143	125	100	80	30	21	M20x2.5	35	167	87	PT 3/8"	PT 1/4"	50	20	6-Ø9	6-M10	155	78	5
MR12535	169	171	150	130	110	35	25	M24x3.0	44	174	94	PT 3/8"	PT 1/4"	57	22	6-Ø11	6-M12	162	82	5
MR15035	202	204	180	130	110	45	31	M30x3.5	45	175	95	PT 3/8"	PT 1/4"	61	26	6-Ø13	12-M12	163	82	5
MR20060	250	255	225	145	120	55	37	M36x4.0	60	270	156	PT 1/2"	PT 1/2"	85	25	6-Ø17	6-M16	255	140	6
MR25060	300	305	275	220	160	65	44	M42x3.0	60	280	168	PT 1/2"	PT 1/2"	85	25	6-Ø17	6-M20	265	150	6