

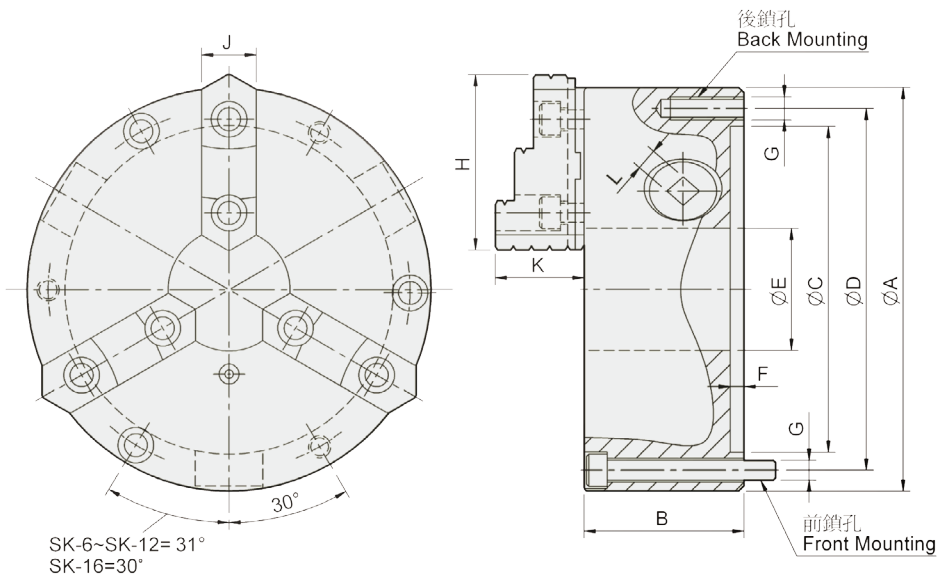


SK

3-jaw strong scroll chuck plain back, 2-piece jaws (front and back mounted)

1. SK types chucks have wider utilization range; hard jaws suitable for heavy cutting; soft jaws suitable for light and precision cutting.
2. Hard jaws could be used as internal jaws and external jaws.
3. Gripping accuracy of 0.03mm (0.0012 inch) T.I.R.
4. The body is made of MEEHANITE. It is suitably used for high speed revolution and 3 times more durable than regular material.

Product schematic



UNIT : mm

SPEC Model	A	B	C	D	E	F	G Back / Front	H	J	K	L	Allowable Handle Torque (kgf · m)	Gripping Force (kgf)	Max. Speed (r.p.m.)	Weight (kg)	Moment Of Inertia I (kg · m ²)	Gripping Range O.D. Range / I.D. Range
SK-4	112	58	80	95	32	4.8	3-M8 / 3-M8x65	47	19	31.6	8	4.5	1200	2500	3.8	—	Ø3-Ø95 / Ø34-Ø90
SK-6	167	67	130	147	45	5.5	3-M10 / 3-M10x70	72	26	40.2	10	9.0	2200	2000	9	0.03	Ø4-Ø160 / Ø55-Ø150
SK-7	192	76.5	155	172	58	5.5	3-M10 / 3-M10x80	81.2	28	42	11	11.0	2500	2000	13.8	0.06	Ø8-Ø180 / Ø62-Ø170
SK-8	200	76.5	160	176	58	5.5	3-M10 / 3-M10x80	82	28	42	11	11.0	2500	2000	15.5	0.07	Ø8-Ø190 / Ø68-Ø180
SK-9	232	84	190	210	70	6	3-M12 / 3-M12x90	90.9	32	51.2	12	15.0	3000	2000	22	0.16	Ø11-Ø220 / Ø70-Ø210
SK-10	273	87	230	250	89	8	3-M12 / 3-M12x90	100.5	35	56.7	12	19.5	4000	1800	29.7	0.26	Ø12-Ø260 / Ø80-Ø250
SK-12	310	96	260	285	105	7	3-M12 / 3-M12x110	114.5	40	56.8	14	21.0	4200	1800	43.5	0.58	Ø15-Ø300 / Ø90-Ø290
SK-16	405	122	345	375	160	8.7	— / 6-M14x130	148.6	50	76.1	15	25.0	4500	1500	98	1.72	Ø30-Ø380 / Ø110-Ø360