

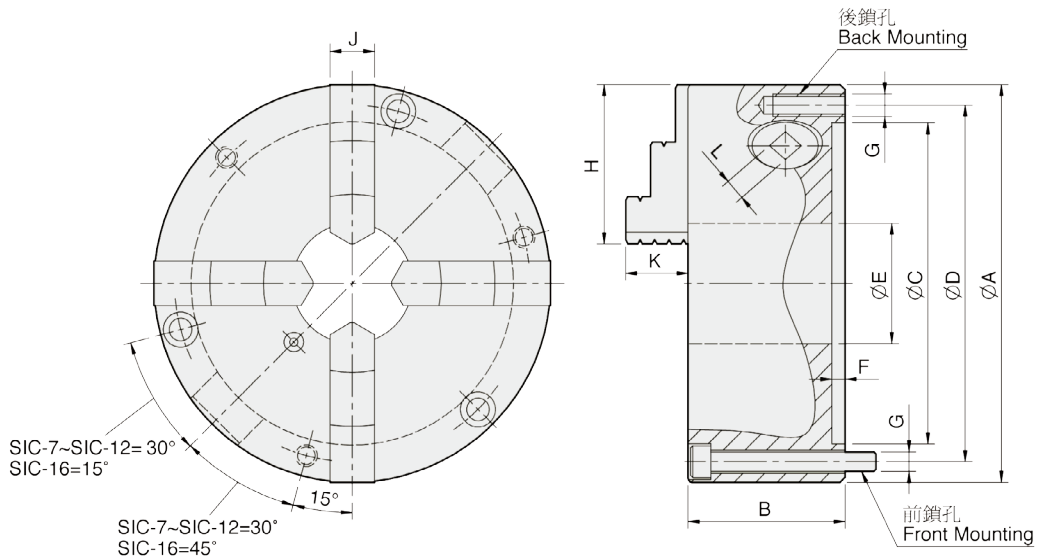
SIC

4-jaw scroll chuck plain back, solid jaws (front and back mounted)



Product schematic

1. Gripping of square or octagonal workpieces could fit into central line automatically.
2. SIC have high stability in gripping thin tube work piece.
3. The specification is the same as SC type.
4. The body is made of MEEHANITE. It is suitably used for high speed revolution and 3 times more durable than regular material.



UNIT : mm

SPEC Model	A	B	C	D	E	F	G Back / Front	H	J	K	L	Allowable Handle Torque (kgf · m)	Gripping Force (kgf)	Max. Speed (r.p.m.)	Weight (kg)	Moment Of Inertia I (kg · m ²)	Gripping Range O.D. Range / I.D. Range
SIC-7	192	76.5	155	172	58	5.5	3-M10 / 3-M10x80	77	21.5	29.4	11	11.0	2500	2000	14.8	0.06	Ø4-Ø180 / Ø56-Ø170
SIC-9	232	84	190	210	70	6	3-M12 / 3-M12x90	87	24	35.6	12	15.0	3000	2000	23.2	0.16	Ø5-Ø220 / Ø62-Ø210
SIC-12	310	96	260	285	105	7	3-M12 / 3-M12x110	110	30	45.6	14	21.0	4200	1800	47	0.58	Ø10-Ø300 / Ø86-Ø290
SIC-16	405	122	345	375	160	8.7	— / 6-M14x130	146	42	56.3	15	25.0	4500	1500	107	1.72	Ø30-Ø380 / Ø110-Ø360