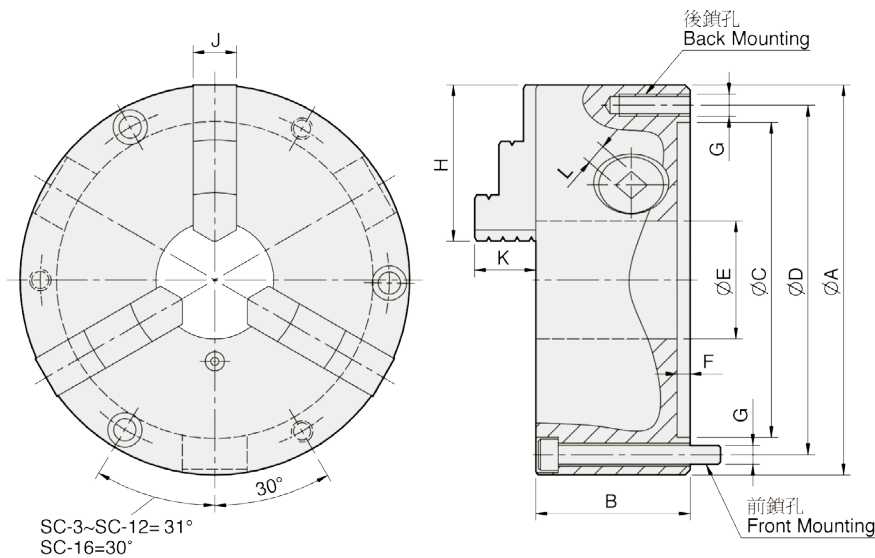


Product schematic

# SC

## 3-jaw scroll chuck plain back, solid jaws (front and back mounted)

1. Interchangeable utilization of internal and external hard jaws.
2. SC types feature economical and durable, suitable for mass production.
3. Gripping accuracy of 0.03mm (0.0012 inch) T.I.R..
4. The body is made of MEEHANITE. It is suitably used for high speed revolution and 3 times more durable than regular material.



UNIT : mm

SPEC Model	A	B	C	D	E	F	G Back / Front	H	J	K	L	Allowable Handle Torque (kgf · m)	Gripping Force (kgf)	Max. Speed (r.p.m.)	Weight (kg)	Moment Of Inertia I (kg · m <sup>2</sup> )	Gripping Range O.D. Range / I.D. Range
SC-3	86	46	60	73	16	4.1	3-M6 / 3-M6×50	36	11	14.3	7	3.0	900	2500	1.7	—	Ø2-Ø70 / Ø24-Ø64
SC-4	112	60	80	95	24	4.8	3-M8 / 3-M8×70	42	14	16.6	8	4.5	1200	2500	3.7	—	Ø3-Ø95 / Ø29-Ø84
SC-5	132	60	100	115	32	4.8	3-M8 / 3-M8×70	50	16	20.3	8	6.5	1500	2500	5.2	0.01	Ø3-Ø110 / Ø33-Ø100
SC-6	167	67	130	147	45	5.5	3-M10 / 3-M10×70	63	19	23.7	10	9.0	2200	2000	9.3	0.03	Ø4-Ø160 / Ø48-Ø150
SC-7	192	76.5	155	172	58	5.5	3-M10 / 3-M10×80	77	21.5	29.4	11	11.0	2500	2000	14.2	0.06	Ø4-Ø180 / Ø56-Ø170
SC-8	200	76.5	160	176	58	5.5	3-M10 / 3-M10×80	77	21.5	29.4	11	11.0	2500	2000	16	0.07	Ø4-Ø190 / Ø62-Ø180
SC-9	232	84	190	210	70	6	3-M12 / 3-M12×90	87	24	35.6	12	15.0	3000	2000	22.7	0.15	Ø5-Ø220 / Ø62-Ø210
SC-10	273	87	230	250	89	8	3-M12 / 3-M12×90	98	28	39.5	12	19.5	4000	1800	31.8	0.25	Ø6-Ø260 / Ø70-Ø250
SC-12	310	96	260	285	105	7	3-M12 / 3-M12×110	110	30	45.6	14	21.0	4200	1800	44.8	0.58	Ø10-Ø300 / Ø86-Ø290
SC-16	405	122	345	375	160	8.7	— / 6-M14×130	146	42	56.3	15	25.0	4500	1500	102	1.75	Ø30-Ø380 / Ø110-Ø360